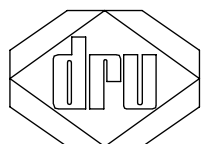
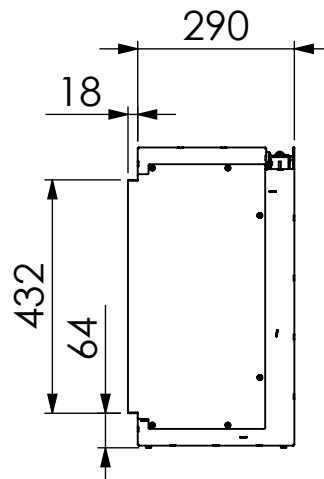
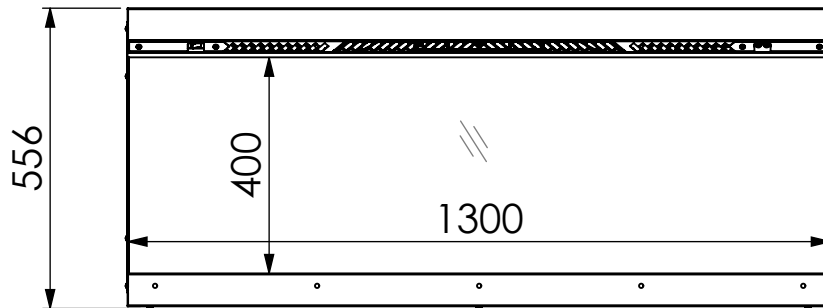
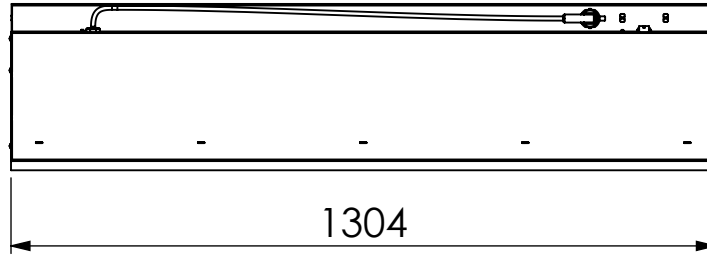
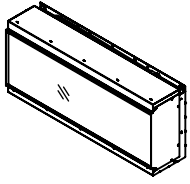
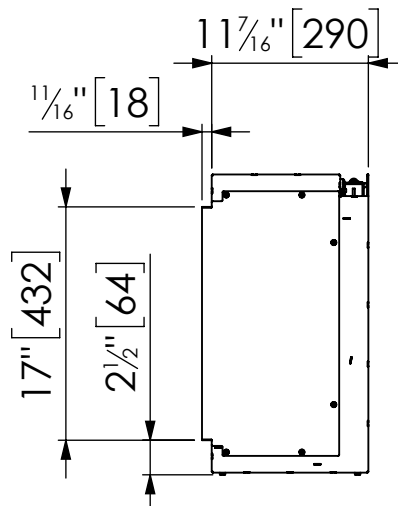
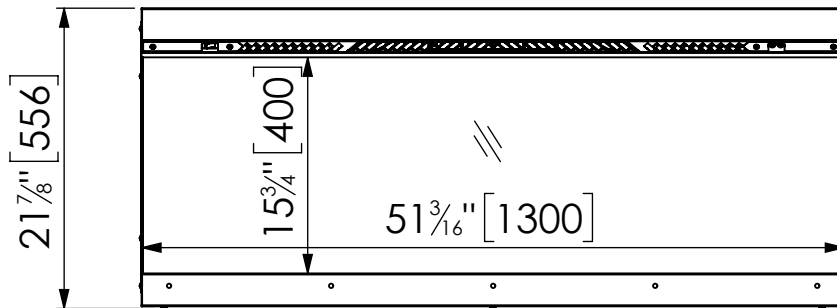
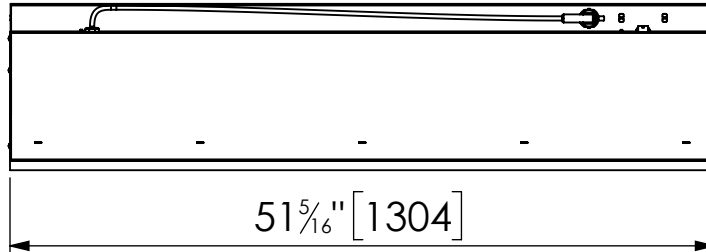
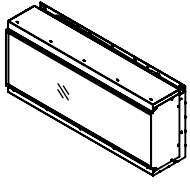


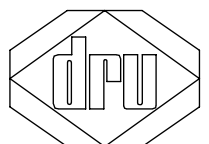
# Valo 130



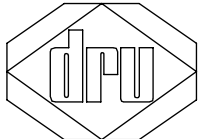
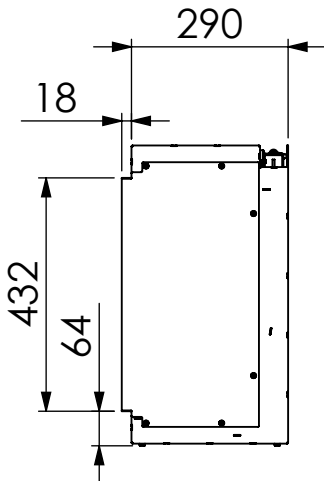
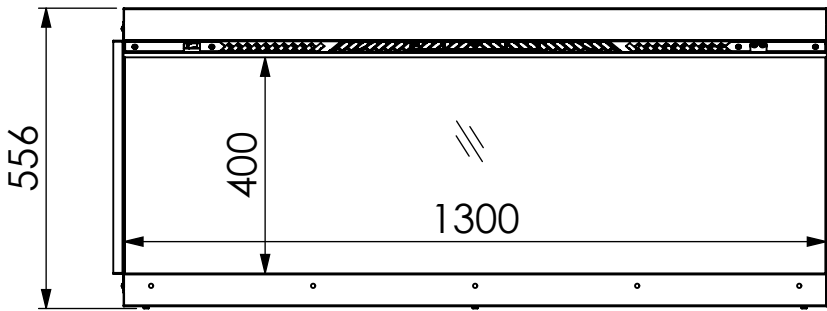
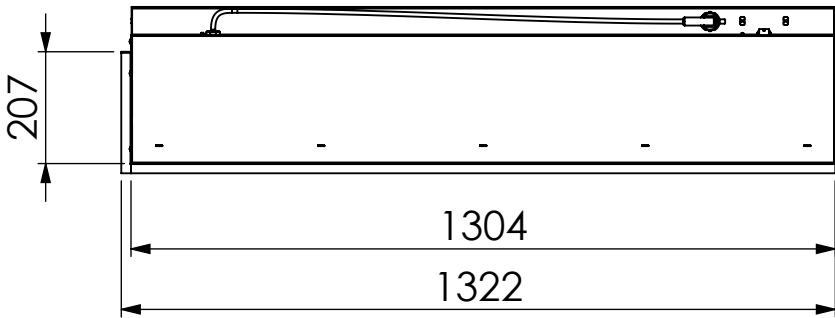
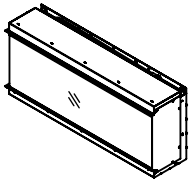
# Valo 130



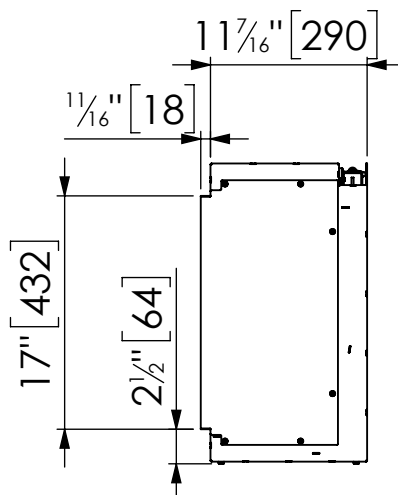
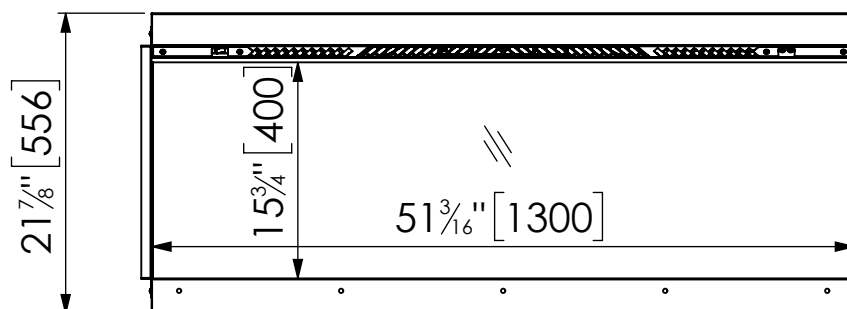
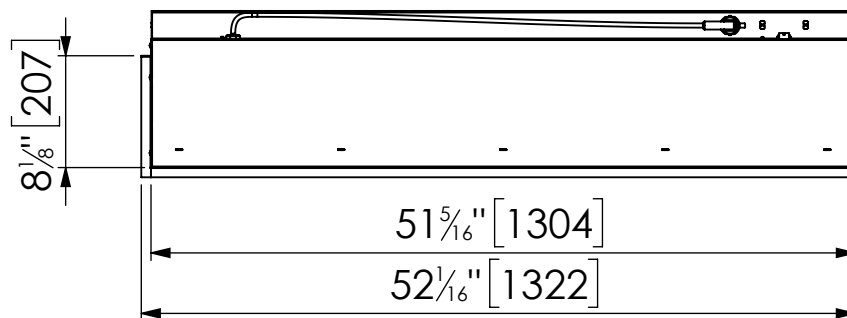
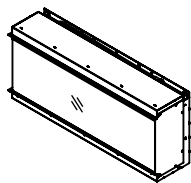
dim" = inch  
[dim] = mm



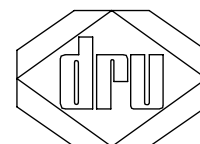
# Valo 130/2 Left



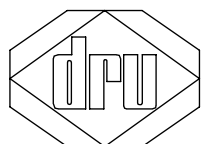
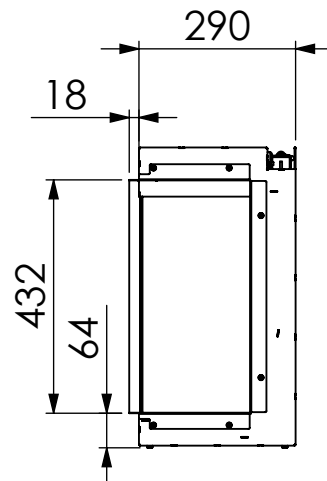
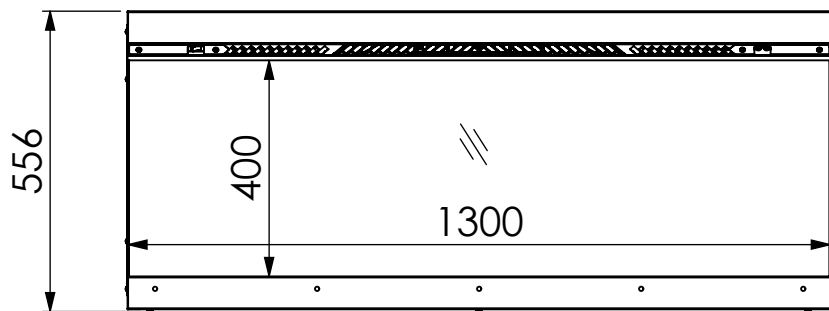
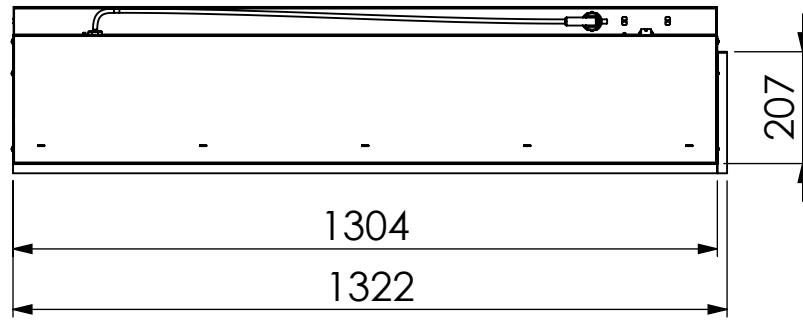
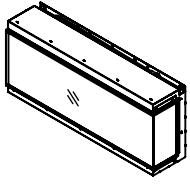
# Valo 130/2 Left



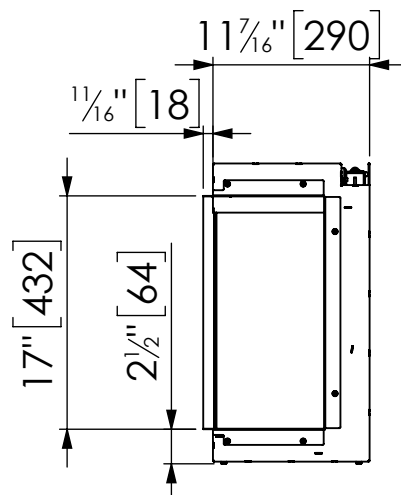
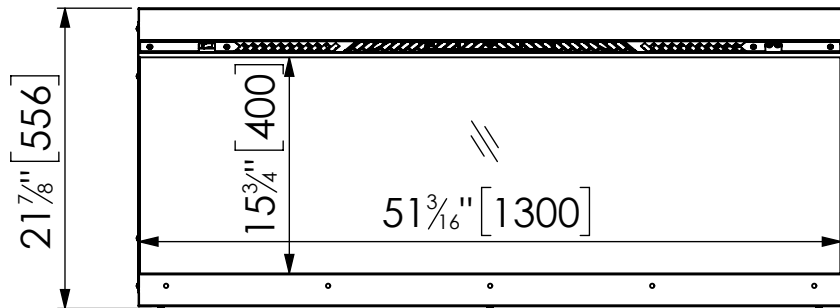
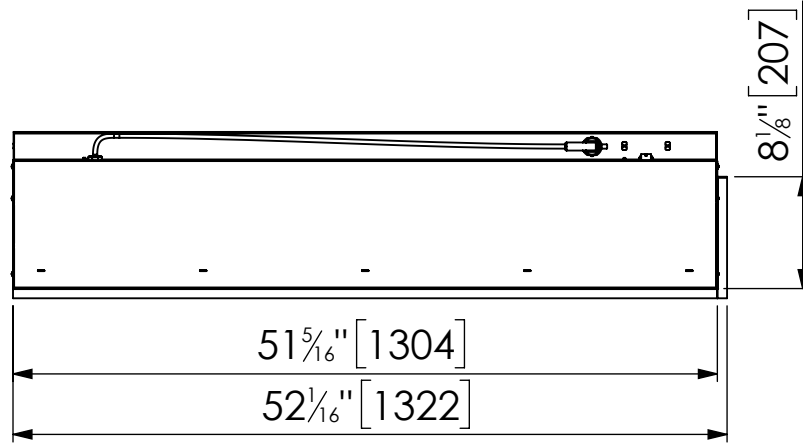
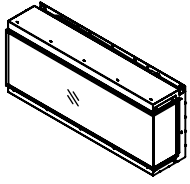
dim" = inch  
[dim] = mm



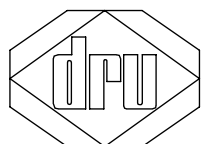
# Valo 130/2 Right



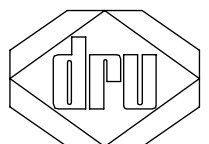
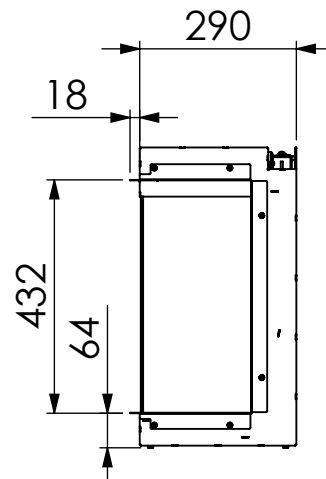
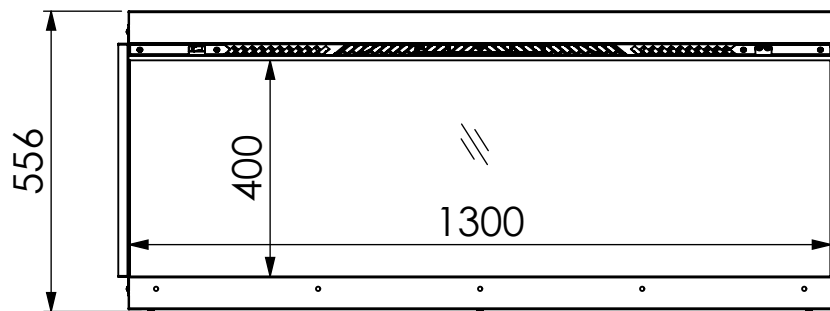
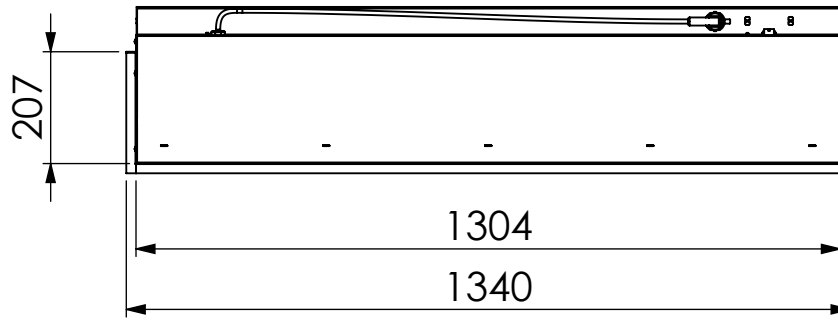
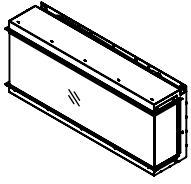
# Valo 130/2 Right



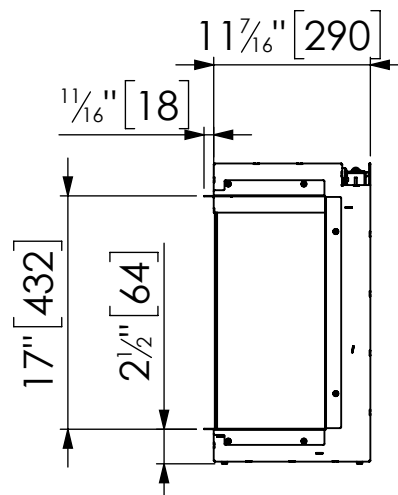
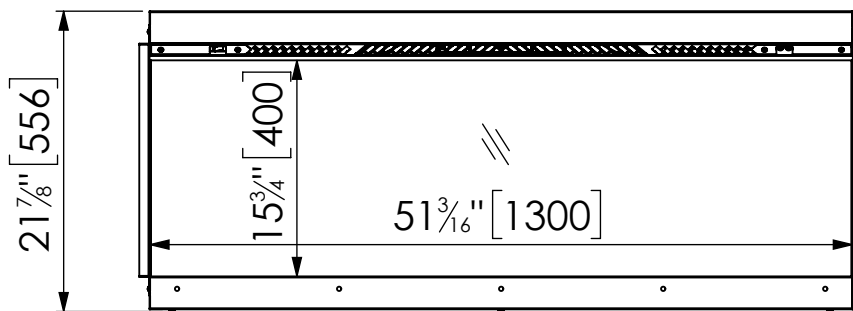
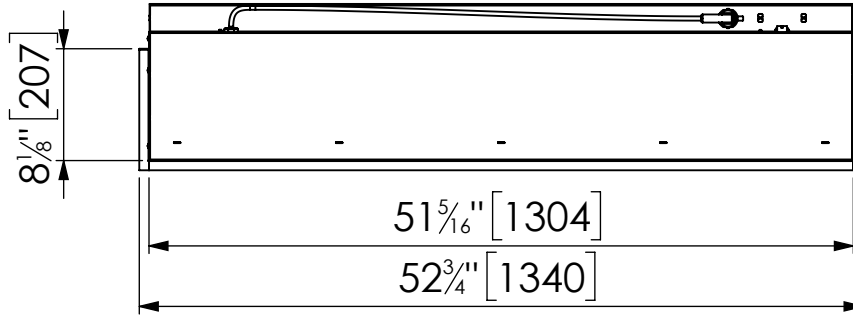
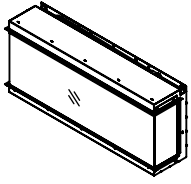
dim" = inch  
[dim] = mm



# Valo 130/3



# Valo 130/3



dim" = inch  
[dim] = mm

